

Rev.	Sym.	Q'TY	ICN/ECN NO	Changed by	Date
V1.0			the first release		

COMPANY CONFIDENTIAL

A

B

C

D

E

F

A

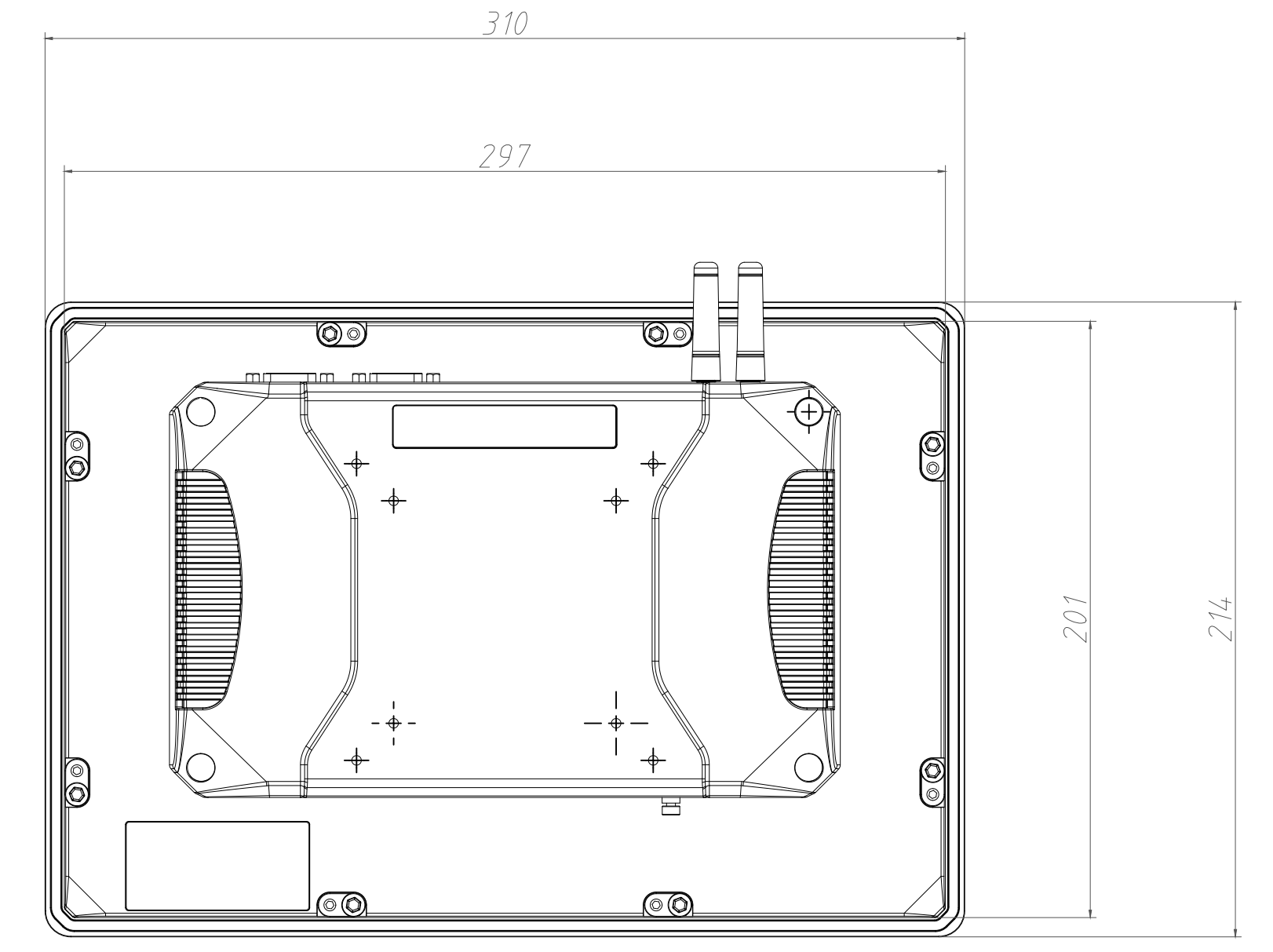
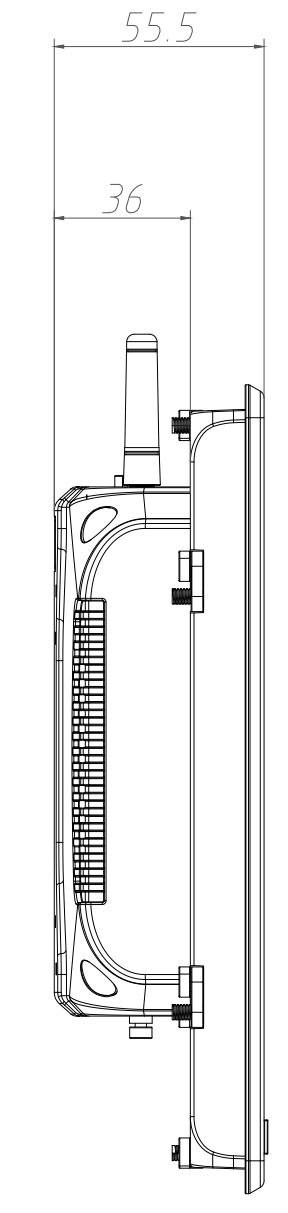
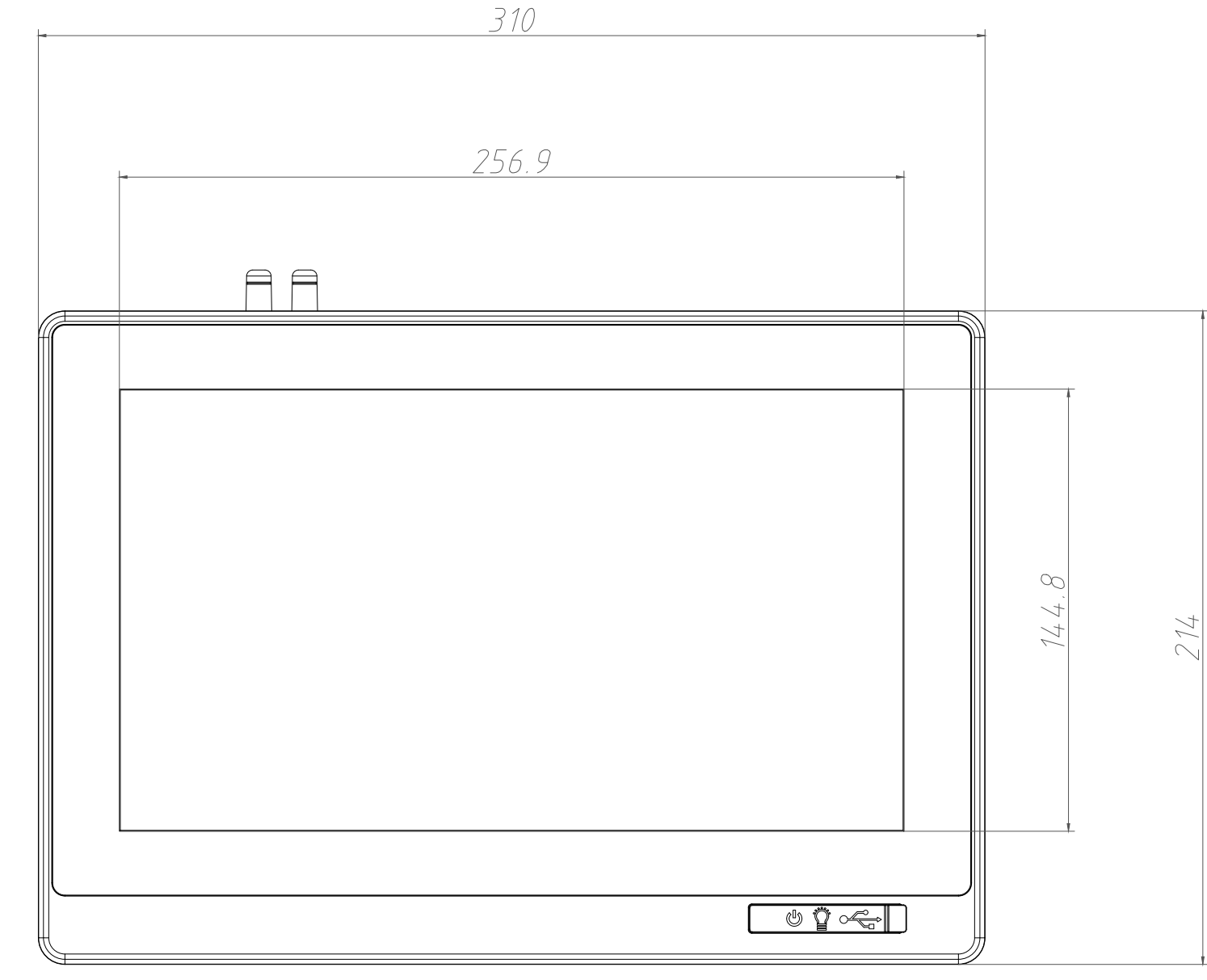
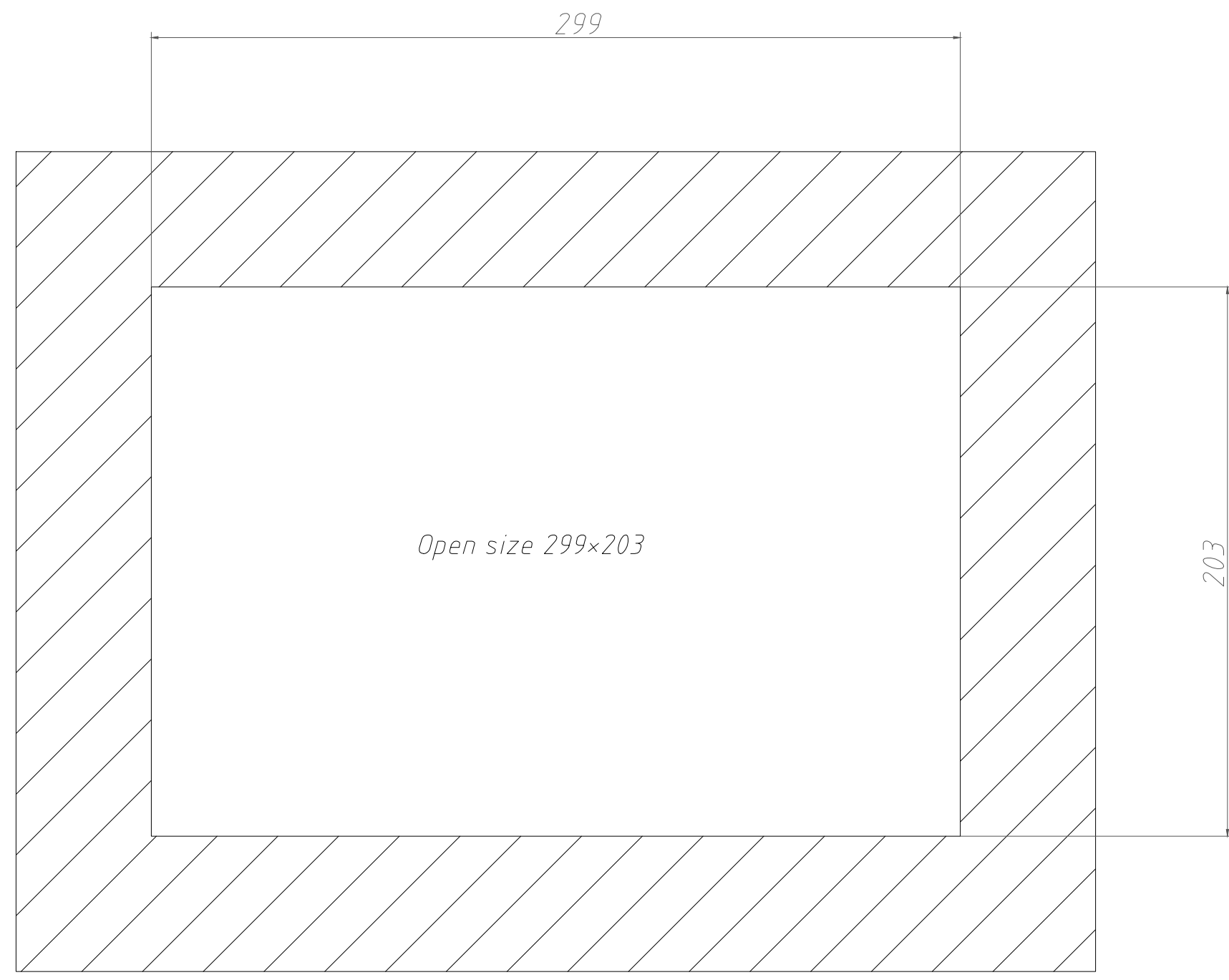
B

C

D

E

F



	<b>PANELMATE</b> Creative HMI Solution		Project Name :		Part Name	
	Design				Part No	
	Check				Material	See Notes
	Approve				Process	See Notes
			Size: A1	Scale: 1:1		
			Unit: mm	Sheet: 1 of 1		